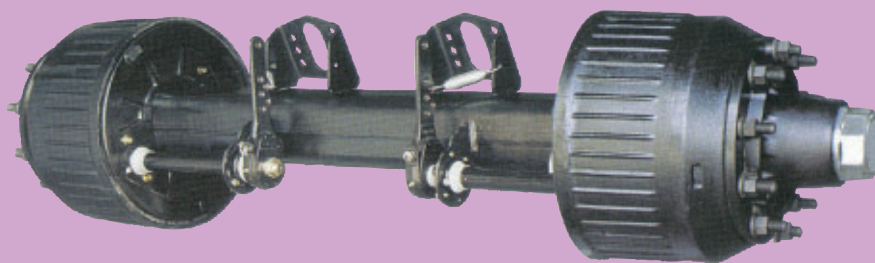
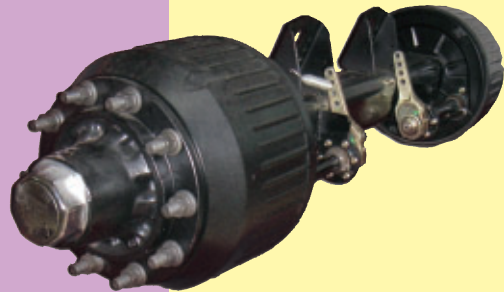


Haute Juggernaut

- Manufactured to international standard
- European RwtUV approval Nos: YE4218-10 TDB0811 and YE4218-10 TDB0809
- 3-piece beam spindles design for excellent durability and provide better strength on critical stress points
- Welded beams tested and aligned to ensure beams are concentric
- Spindles are heat treated and hardened to ensure long durability and improve the lifespan on the axles bearing
- Environmentally friendly high performance non-asbestos brake lining
- Axles beams made with high tensile steel
- Wheel studs and nuts made of high grade alloy steel
- Tubular construction ensures a smooth transition of strength and reduces the stress concentration.

This results in greater fatigue resistance



STANDARD SUPPLY:

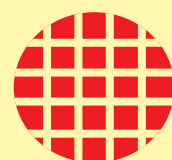
Complete with manual slack adjusters
Up to 3 years limited warranty
Asbestos free brake linings
Quality tapered bearings
Parts interchangeable with major brand

OPTIONAL:

Auto slack adjuster
Timken bearings
ABS ready kit
Customized track lengths
420 x 200mm brake size

The Perfect Balance

Quality, Reliability, Price and Excellent Services.

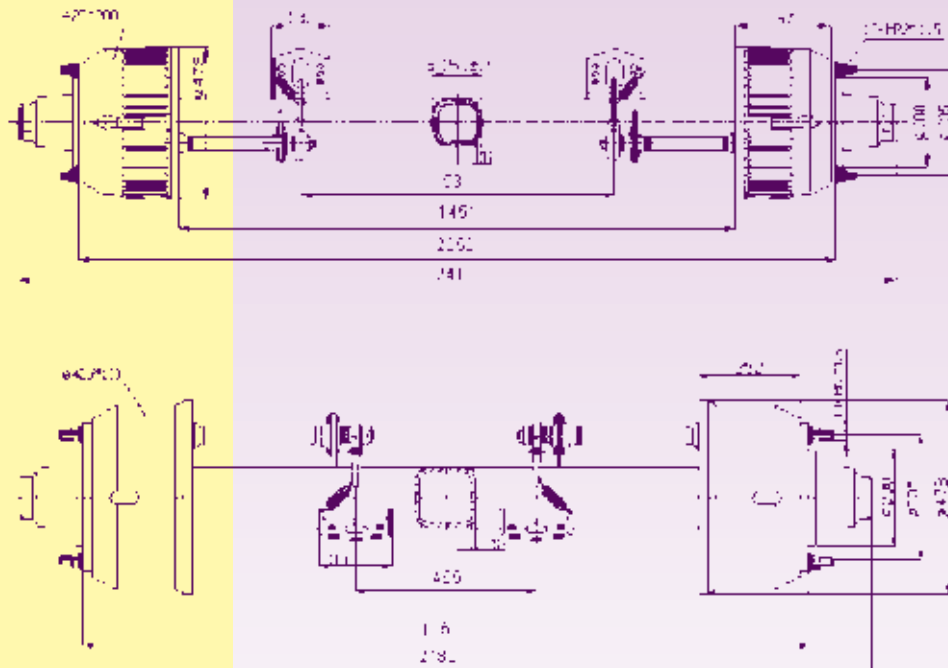


Rednet

Haute Juggernaut

Specifications

MODEL	RNB10SISO1	RNB10RISO1	RNB12SISO3
Axle Capacity	10,000kg	10,000kg	12,000kg
Track Length (Standard)	1850mm	1850mm	1850mm
Beam Size	150 x 150mm	127mm	150 x 150mm
No. x Size of Wheel Studs x PCD	10 x M22 x 335	10 x M22 x 335	10 x M22 x 335
Wheel Fixing	ISO	ISO	ISO
Brake Size	420 x 180mm	420 x 180mm	420 x 200mm
Brake Drums	Inboard Design	Inboard Design	Inboard Design
RWTUV Type Approval	YE4218-10 TDB0811	YE4218-10 TDB0811	
	YE4218-10 TDB0809	YE4218-10 TDB0809	



Rednet

Rednet Pte. Ltd.
 6 Pioneer Sector 1, Singapore 628418
 Tel: 65-68978525 Fax: 65-68978231
 Email: sales@rednet.com.sg
 www.rednet.com.sg
 RCB No. 200104893K