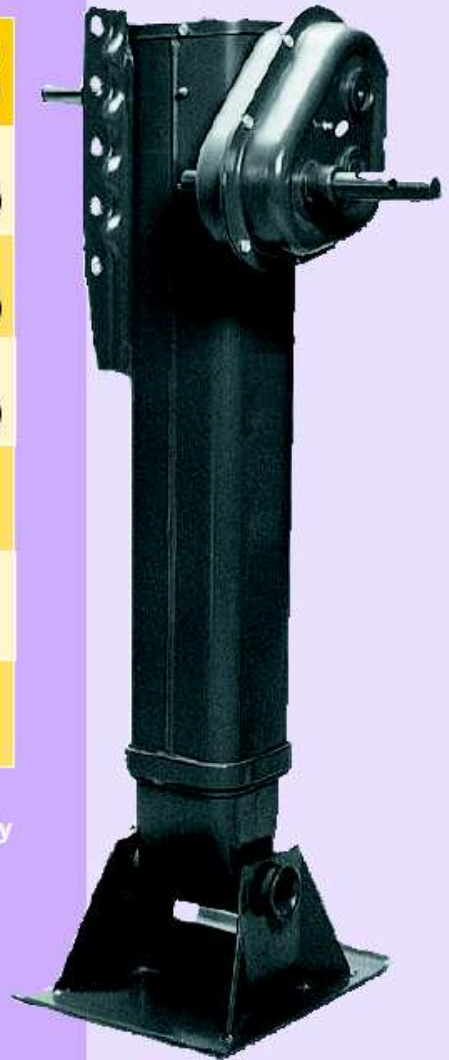


RN LANDING GEAR EURO MODEL

Specifications

Model	RNLG25 TAL/900	RNLG25 TAL/840	RNLG25 TAL/800	RNLG25 TAL/750	RNLG25 TAL/700
Lifting Capacity	25,000 (Kg/Pair)	25,000 (Kg/Pair)	25,000 (Kg/Pair)	25,000 (Kg/Pair)	25,000 (Kg/Pair)
Static Load	55,000 (Kg/Pair)	55,000 (Kg/Pair)	55,000 (Kg/Pair)	55,000 (Kg/Pair)	55,000 (Kg/Pair)
Weight	93 (Kg/Pair)	93 (Kg/Pair)	93 (Kg/Pair)	93 (Kg/Pair)	93 (Kg/Pair)
Assembly Height	1007mm	947mm	907mm	857mm	807mm
Mounting Height	900mm	840mm	800mm	750mm	700mm
Lift	460mm	460mm	420mm	370mm	320mm

- Maintenance free, greasing points are located externally for easy periodic servicing
- Dual speed train gear
- Low crank force
- Universal mounting plate
- Double tubing construction for durability
- Optional foot mounting: Air compensating foot
- Transmission gear made of high grade alloy steel
- Available in multi heights to suit trailer design



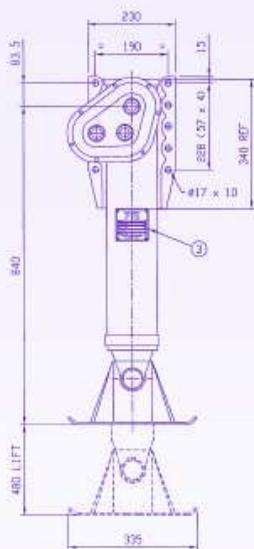
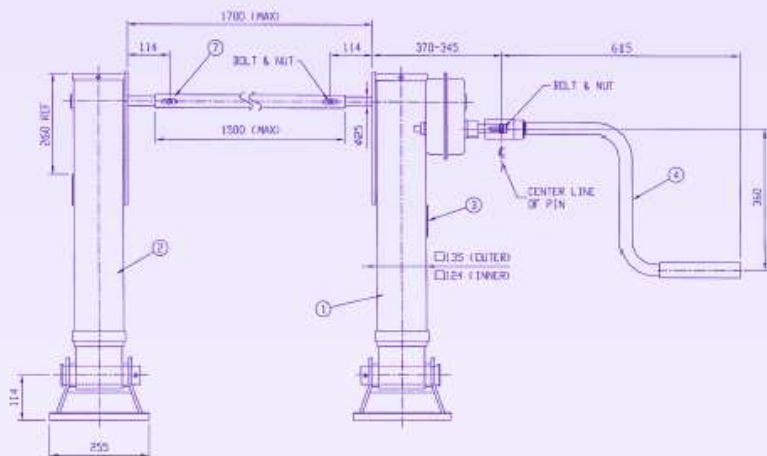
The Perfect Balance

Quality, Reliability, Price and Excellent Services.



LANDING GEAR

FOOT OPTIONS



Rednet Pte. Ltd.
6 Pioneer Sector 1, Singapore 628418
Tel: 65-68978525 Fax: 65-68978231
Email: sales@rednet.com.sg
www.rednet.com.sg

